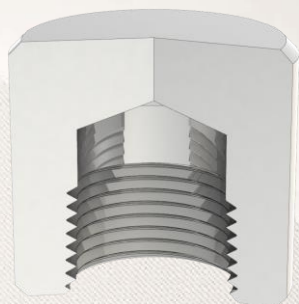
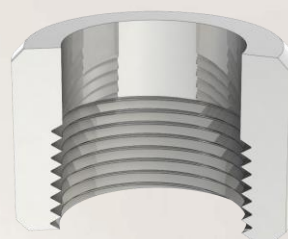


COUPLING

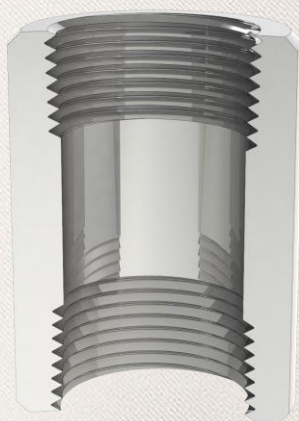
COUPLINGS SOLUTION



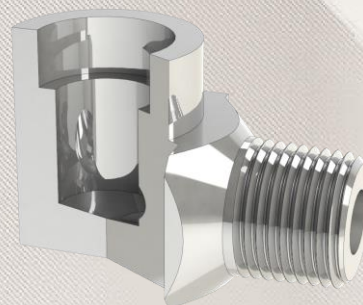
-COUPLING CAP



-HALF COUPLING



-COUPLING



-COUPLING 90° ELBOW